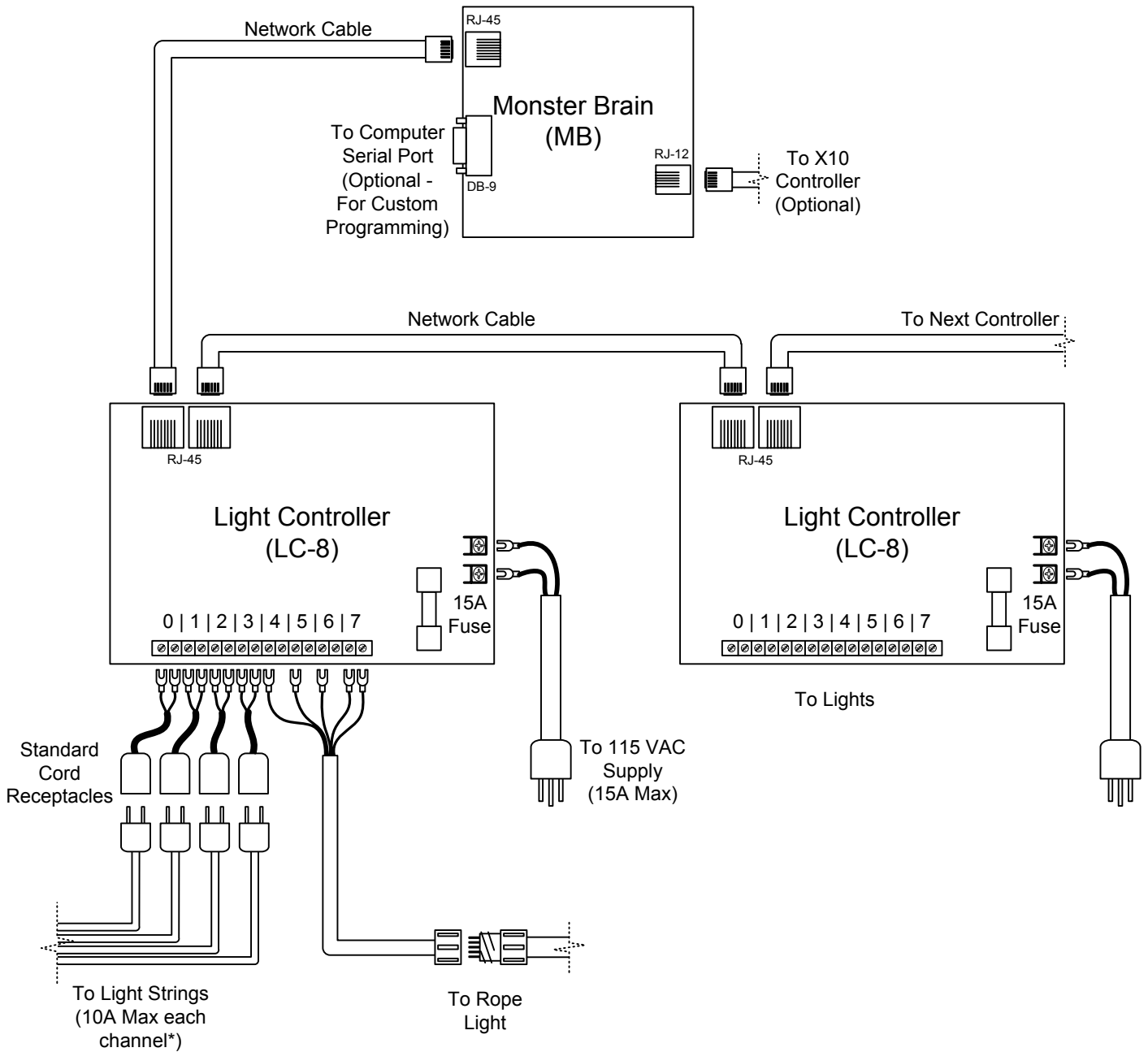


TYPICAL WIRING SCHEME



*Total 15A Max Per Controller